



# Sensor and Equipment

## Clean Room Monitor CM Series

### Instruction Manual



Please read the following safety considerations before use.

### Safety considerations

Please observe all safety considerations for safe and proper product operation to avoid hazards.

**Warning:** Fail-safe device must be installed when using the unit with machinery that may cause serious injury or economic loss.(e.g. nuclear power control, medical equipment, ships, railways, aircraft, combustion, safety equipment, etc.)

**Warning:** Do not connect, repair or inspect the unit while connected to a power source.

**Warning:** Do not disassemble or modify the unit, please contact us if necessary.

**Warning:** check input power specification and check power terminal polarity before connecting the power source.

**Caution:** Do not use the unit outdoors.

**Caution:** Do not touch the temperature \ humidity by hands.

**Caution:** Do not use the water or oil-based detergent when clean the unit.

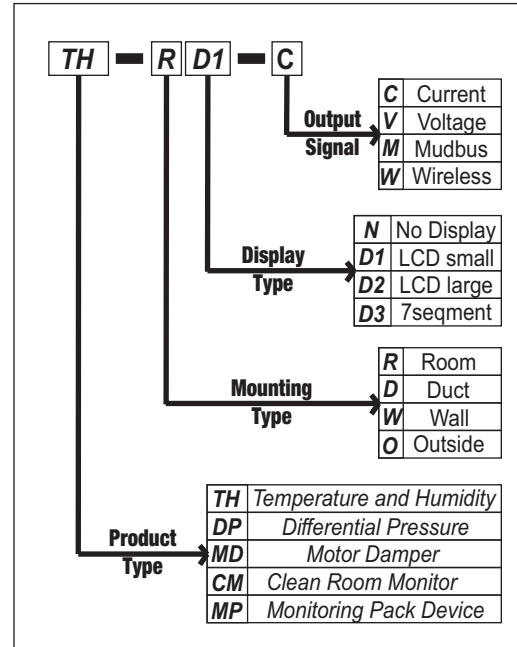
**Caution:** Do not use the unit where flammable or explosive gas, direct sunlight, radiant heat, vibration or impact may be present.

**Caution:** keep dust and wire residue from flowing into the unit.

**Caution During use:**

1. Do not store at the high temperature /humidity environment.
  2. For cleaning use dry towel and do not use acid ,chrome acid, solvent but alcohol.
  3. Separate the unit cable from high voltage line. power line to avoid inductive noise.
  - 4.installation environment: it shall be used indoor and pollution degree 2
- Failure to follow these instruction may result in product damage.

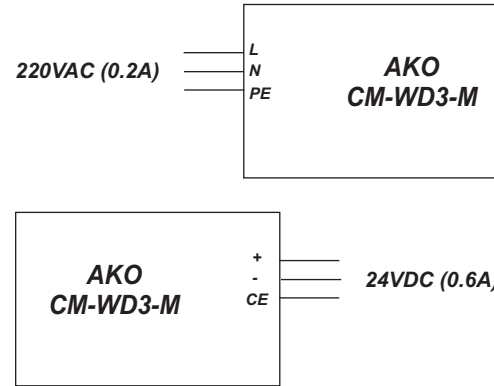
### Ordering Information



### Terminal Connection

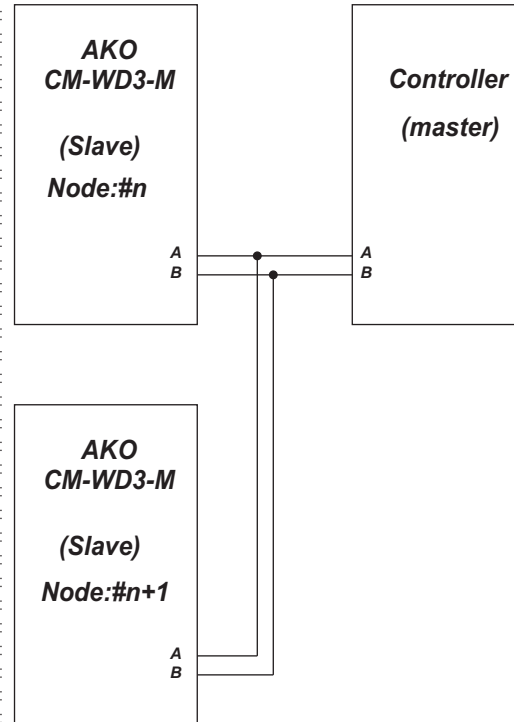
#### Power Supply:

AKO clean room Morintor Device can use 220VAC or 24VDC

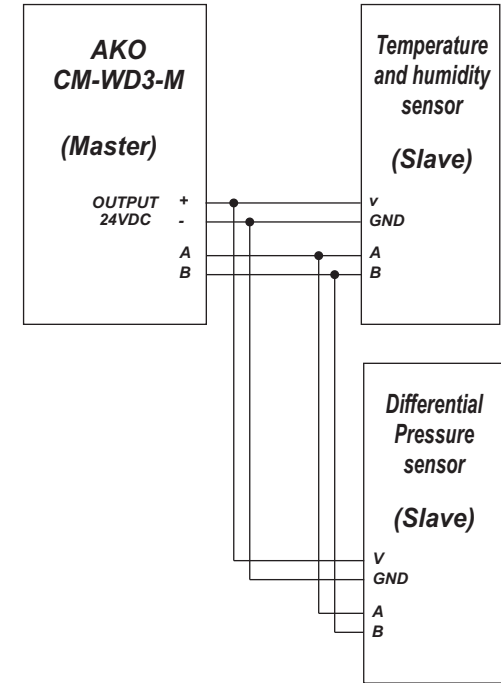


#### Modbus Connection:

AKO clean room Morintor Device can connect with controller by Modbus RTU (as salave device) for display 4 parameter on 7segment.



AKO clean room Morintor Device can connect with Sensor by Modbus RTU (as Master device) for display 4 parameter on 7segment.



### Specification

Model	CM-WD3-M
Power supply	220VAC (0.2A) or 24 VDC (0.6A)
Measuring Range	TEMP.:0...50°C HUMI.:0...100% PRESS.:0...100Pa
Input signal	Modbus RTU
Protection class	IP 65
Cable	Ø 0.5mm , 4-Wire

